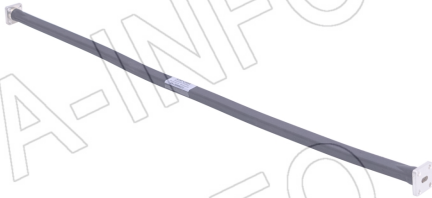


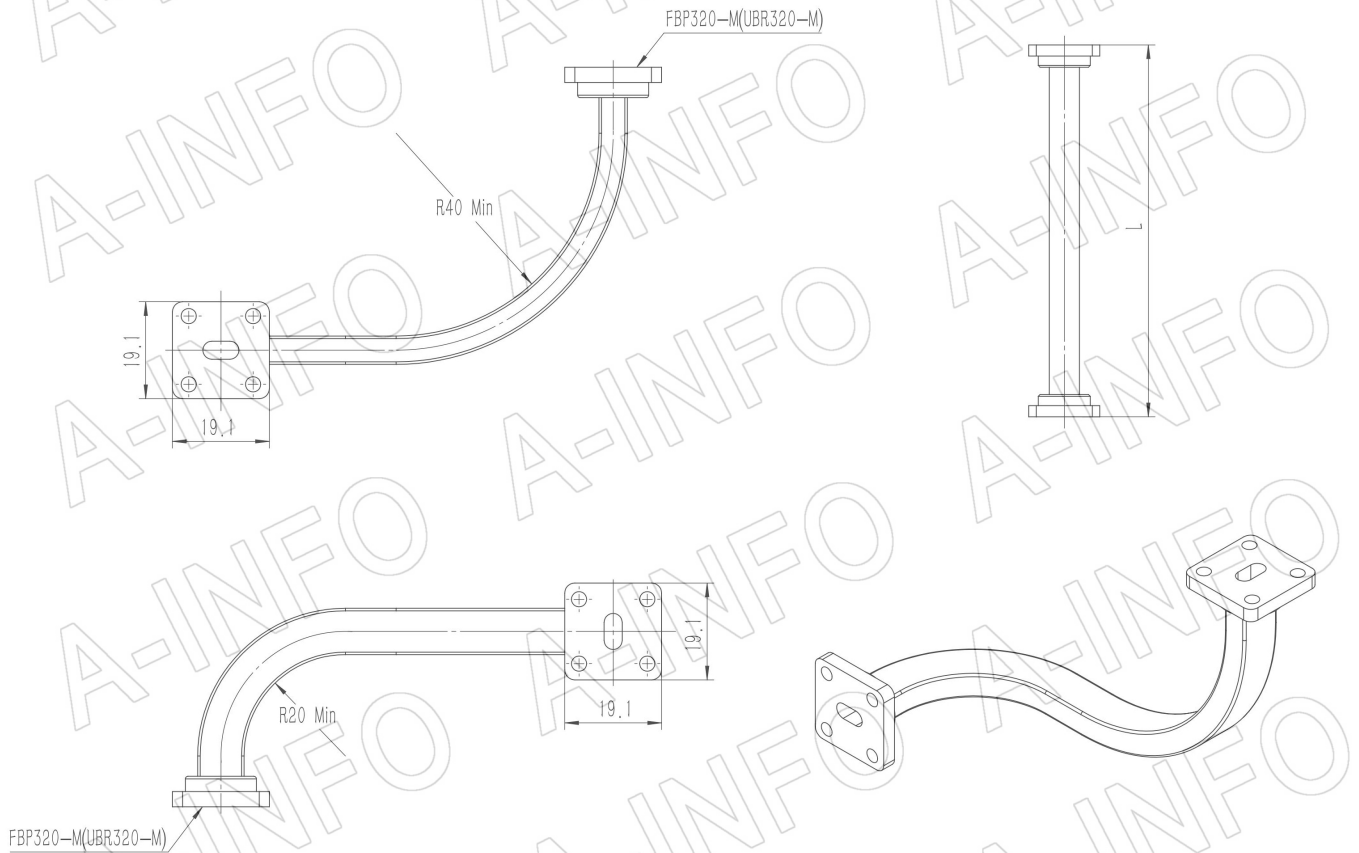
For reference only. See data sheet for the detailed specifications.

## Technical Specification

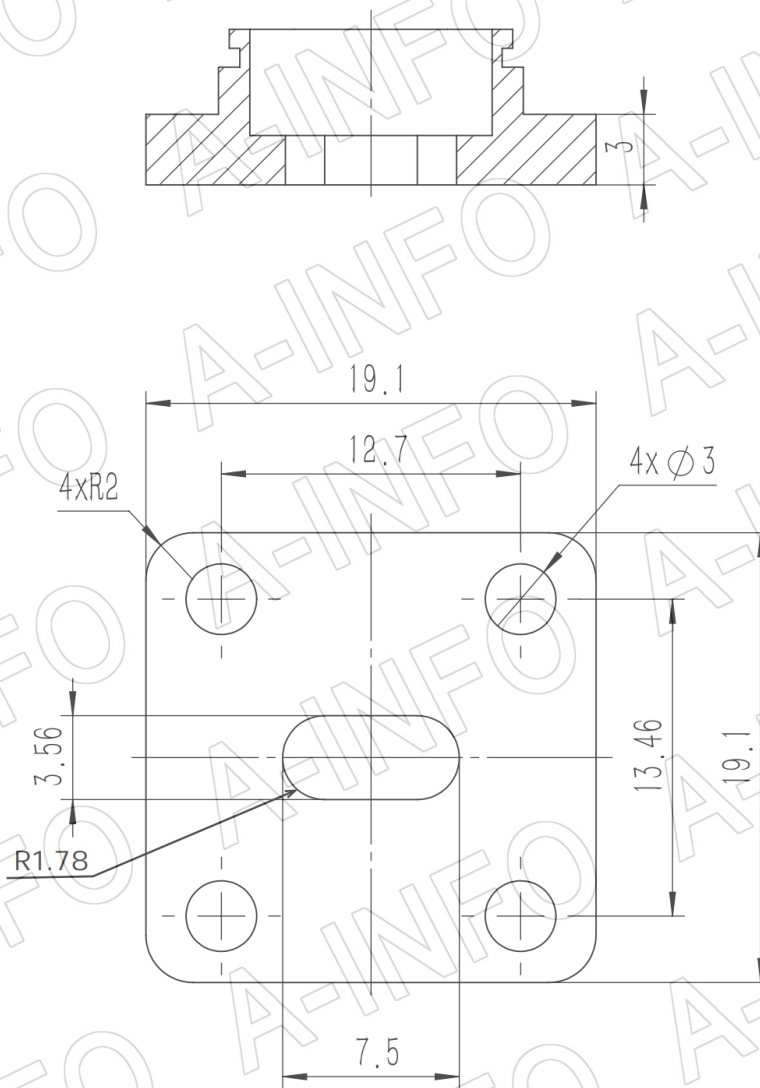
EIA WR	WR28
Frequency Range(GHz)	26.5 – 40.0
Attenuation(dB/m)	2.5 Max.
VSWR	1.40:1 Max.
Average Power(KW CW)	0.15
Max. Air Pressure(Mpa)	0.2
Min. E-Bend Radius(mm)	20
Min. H-Bend Radius(mm)	40
Flange	FBP320-M(UBR320-M)
Jacket	Rubber
Operating Temp.( °C)	-55 ~ +85
Material	Cu
Length(mm)	500
Net Weight(Kg)	0.08 Around



## Outline Drawing (Size: mm)



## Flange Drawing (Size: mm)



FBP320-M

AINFO Inc.

Page 2 of 3

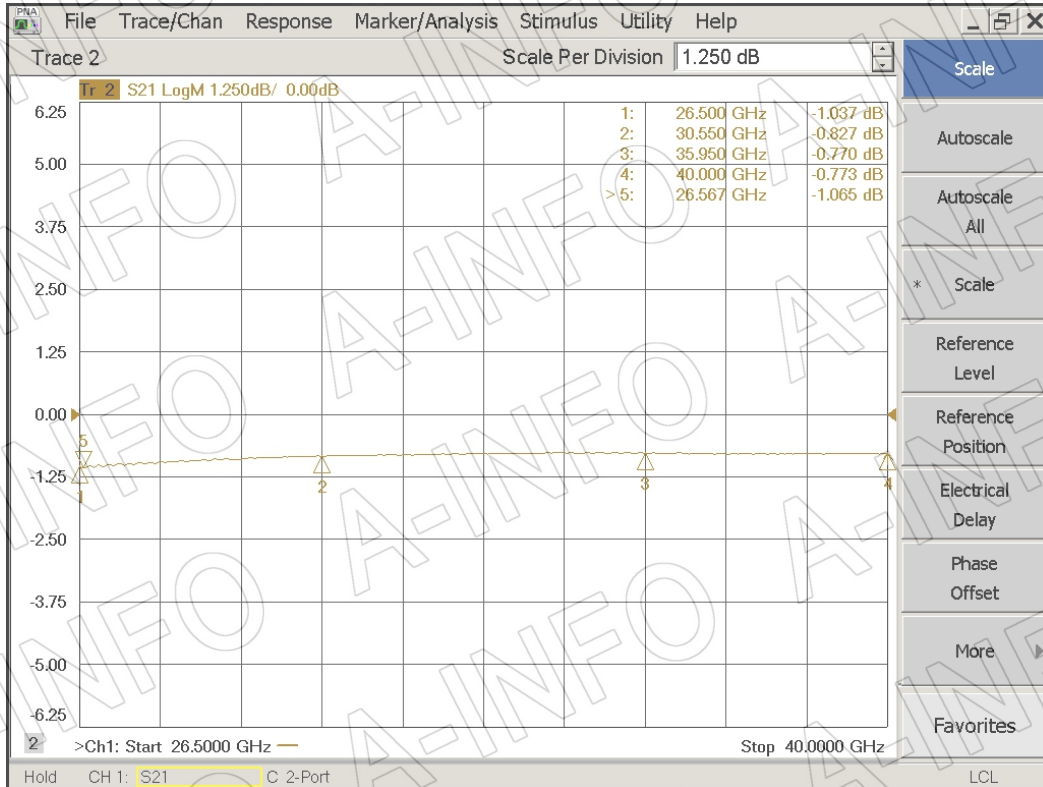
China(Beijing): Tel: (+86) 10-6266-7326,  
China(Chengdu): Tel: (+86) 28-8519-2786,  
USA: Tel: (+1) 949-639-9688,

(+86) 10-6266-7327 Fax: (+86) 10-6266-7379  
(+86) 28-8519-3044 Fax: (+86) 28-8519-3068  
(+1) 949-639-9608 Fax: (+1) 949-639-9670

Website: [www.ainfoinc.com](http://www.ainfoinc.com)  
Email: [sales@ainfoinc.com](mailto:sales@ainfoinc.com)

## Test Results

Attenuation (I.L.: 2.1300dB/m Max.)



## VSWR

